

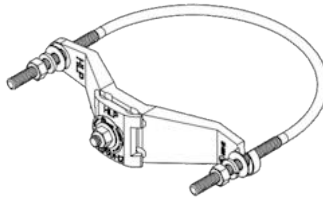


**KLP, INC.**  
LIGHTNING PROTECTION SYSTEMS  
PROTECTING LIVES AND PROPERTY  
406-745-3800,PH 406-745-3820,FAX

[www.kuefler-lightning.com](http://www.kuefler-lightning.com)  
[mkuefler@kuefler-lightning.com](mailto:mkuefler@kuefler-lightning.com)

P.O.BOX209  
ST.IGNATIUS,MT  
59865

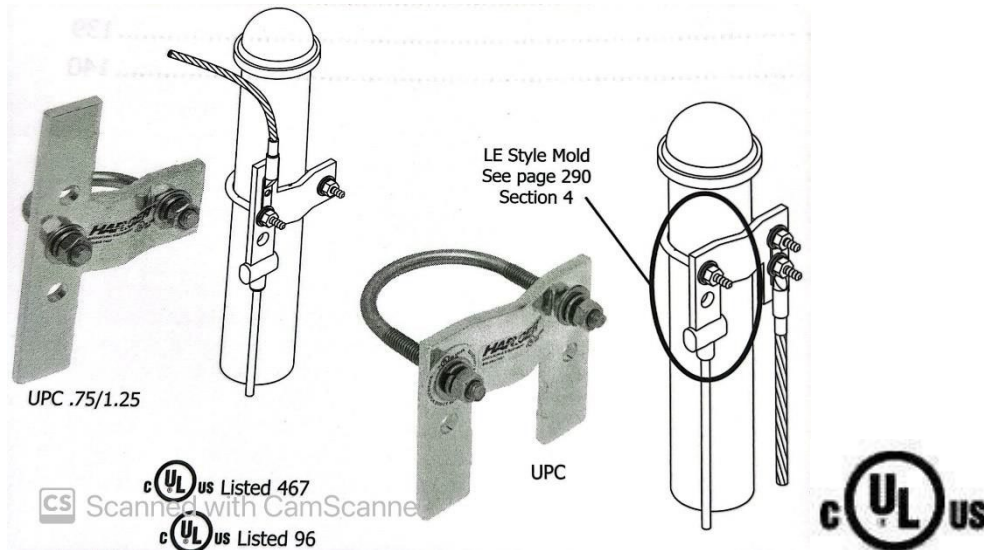
## UPC Pipe Clamps 8"-12"



Dual UL Listing (UL96 & UL467) Suitable for direct burial in earth and concrete. Tamper proof comes with breakaway nuts. Multiple sizes offer a wide conductor range from #6 solid to 250 MCM. Electro tin plated bronze includes stainless steel hardware. Can also be used for pedestal grounding.

Part Number	Material	Nominal Pipe Size	Box Quantity	Approximate Box Weight (lbs.)
UPC8C	Tinned Copper	8"	5	14
UPC10C	Tinned Copper	10"	5	15-1/4
UPC12C	Tinned Copper	12"	5	17-3/4

## Universal Pipe Clamps



All clamps provide 1-1/2" of contact area to ensure sufficient electrical contact for both ground fault and lightning current. Lug ends are 1/4" x 1" and have holes that are 3/8" in diameter 1" on center spacing. The UPC.75/1.25 provides bi-directional grounding capabilities making it the perfect connection for grounding fence rails to fence post applications. These clamps can be connected to ground conductors via exothermic connections and/or standard compression lugs. All clamps are manufactured from electro-tinned copper and feature stainless steel hardware.

Part Number	Material	Nominal Pipe Size	Torque Rating (in./lb.)	Box Quantity	Approximate Box Weight (lbs.)
UPC.75/1.25	Tinned Copper	.75" - 1.25"	117	10	9
UPC1.5/2	Tinned Copper	1.5" - 2"	117	10	9-1/2
UPC2.5/3	Tinned Copper	2.5" - 3"	117	5	6
UPC3.5/4	Tinned Copper	3.5" - 4"	117	5	7
UPC5/6	Tinned Copper	5" - 6"	117	5	9

